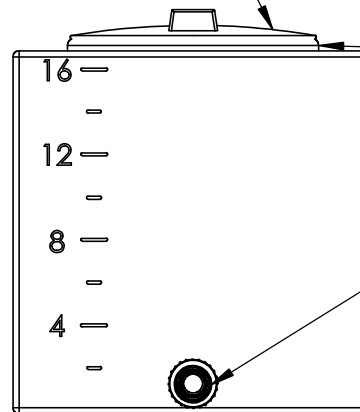


8" Closed Non-Vented Lid  
#970325

8" Lid Ring with Gasket  
#970326

3/4" Bulkhead PP  
Fitting  
#970233



Rectangular Utility Tank  
w/ Fitting &  
Gasketed Ring & Lid



1390 Neubrecht Road  
Lima, Ohio 45801

STOCK NO.  
23681, 23683, 23684

REV  
A

DO NOT SCALE DRAWING

WEIGHT: 11.9 lbs.

**PROPRIETARY AND CONFIDENTIAL**

THE INFORMATION CONTAINED IN THIS DRAWING IS THE SOLE PROPERTY OF TAMCO. ANY REPRODUCTION IN PART OR AS A WHOLE WITHOUT THE WRITTEN PERMISSION OF TAMCO IS PROHIBITED.

MAX. OPERATING TEMP. 140°F  
INTERMITTENT SERVICE TO 160°F  
SEE CHEMICAL RESISTANCE  
CHART FOR COMPATIBILITY

DIMENSIONS ARE IN INCHES  
TOLERANCE: ± 1/4"

MATERIAL  
LLDPE - FDA resin

CAPACITY  
16 Gallon

GRADUATIONS  
2 Gallon

NOMINAL WALL THICKNESS  
3/16"

	NAME	DATE
DRAWN	NJV	4/23/24
APPROVED		
REVISIONS		

COMMENTS:  
Natural, Black,  
Blue  
UV Stabilized